

iDIRECT Evolution

DiSEqC 22 KHz Tone Universal Ku-Band PLL LNB (P/N: E0001110-0001)

Manual Switch Universal Ku-Band PLL LNB (P/N: E0001106-0001)



The DiSEqC 22 KHz Tone and Manual Switch Universal Ku-band PLL LNBs are highly stable low-noise block converters with superior phase noise performance. Compatible for use with the Evolution platform up to 16APSK.

Electrical Specifications

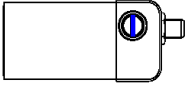
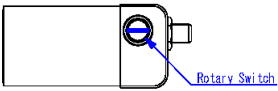
Input Frequency Range	
[Low band]	10.70 to 11.70 GHz
[High band]	11.70 to 12.75 GHz
Output Frequency Range	
[Low band]	950 to 1,950 MHz
[High band]	1,100 to 2,150 MHz
Local Frequency	
[Low band]	9.75 GHz
[High band]	10.60 GHz
Conversion Gain	48 dB min., 62 dB max.
Noise Figure	
[at + 25 degree C]	0.9 dB typ.
[over temperature]	1.1 dB typ.
Local Stability (Initial Setting Error & Over Temperature)	+/- 35 ppm max.
L. O. Phase Noise (SSB)	-50 dBc/Hz typ. @ 100 Hz -70 dBc/Hz typ. @ 1 kHz -75 dBc/Hz typ. @ 10 kHz -85 dBc/Hz typ. @ 100 kHz -105 dBc/Hz typ. @ 1 MHz
Image Rejection	40 dB min.
Input V.S.W.R.	2.5 : 1 typ.
Output Impedance	75 ohms nom.
Output V.S.W.R.	2.3 : 1 max.
Requirement for DC Supply	
[Input Port]	IF Output Connector; DC Supply combined with IF Signal
[Input Voltage]	+10 to +24 VDC
[Current Drain]	145 mA typ., 170 mA max.
Frequency Band Select Function	
[Select Type]	DiSEqC 22 KHz Tone: 22 kHz Tone Low Band: 0 to 0.2 Vp-p High Band: 0.4 to 0.8 Vp-p
[Input Port]	IF Output Connector; DC Supply combined with IF Signal
[Wave Form]	Square-wave
[Frequency]	22 +/- 4 kHz
[Duty Cycle]	30 to 70 %

iDIRECT Evolution

DiSEqC 22 KHz Tone Universal Ku-Band PLL LNB (P/N: E0001110-0001)

Manual Switch Universal Ku-Band PLL LNB (P/N: E0001106-0001)

Electrical Specifications (cont.)

Frequency Band Select Function (cont.)	
[Select Type]	Manual Switch: Outside Rotary Switch A side: Low Band (Initial Set) B side: High Band
[Switch Layout]	A side:  B side: 

Mechanical Specifications

Input Interface	Waveguide, WR-75 with Groove
Output Interface	F-type, Female connector
Dimension & Housing (without Interface Connector)	DiSEqC 22 KHz Tone: (L) 82.2 x (W) 40 x (H) 40 mm
(without Interface Connector & Rotary SW)	Manual Switch: (L) 83.2 x (W) 42 x (H) 42 mm
Weight	210 g [0.46 lbs]

Environmental Specifications

Temperature Range (ambient)	-40 to +60 C (operating) -40 to +80 C (storage)
Humidity	0 to 100 % Rh
Altitude	15,000 feet max.
Compliance	CE, FCC, RoHS

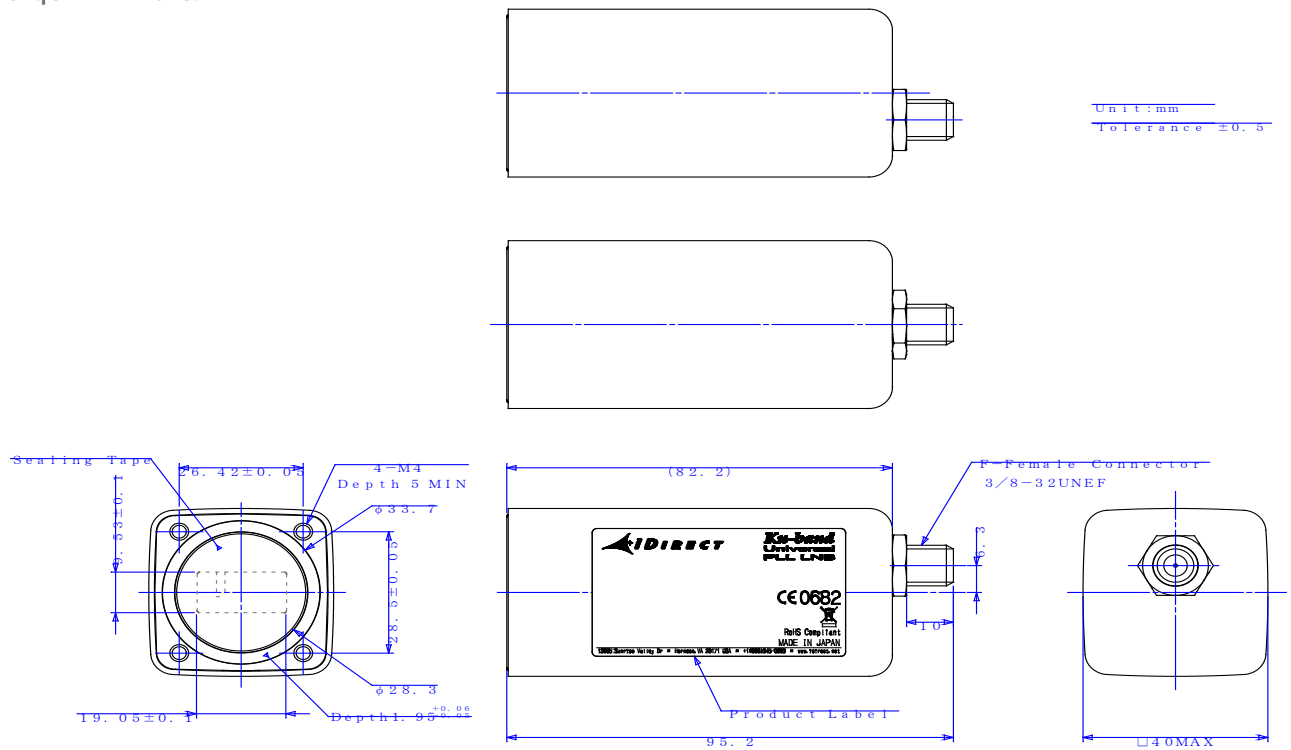
iDIRECT Evolution

DiSEqC 22 KHz Tone Universal Ku-Band PLL LNB (P/N: E0001110-0001)

Manual Switch Universal Ku-Band PLL LNB (P/N: E0001106-0001)

Mechanical Drawing

DiSEqC 22 KHz Tone:



Manual Switch:

